

# hofer



ISO 9001  
Q-634

PCBN CUTTING TOOLS



*Together with SANDVIK HYPERION*

# PCBN

Solid PCBN is a cutting material, uncoated, and its economic impact is gained by renewing or regenerating this material. During the HOFER 13 procedure the same material will give you 3 cutting inserts used in the same holder.



Example: Capto toolholder

Example: Capto toolholder

1 TOOLHOLDER - 3 insert dimensions

■ **SCGN W** **HOFER 13** 1 TOOLHOLDER- 3 insert dimensions  
SOLID inserts with WIPER, 4 cutting edges

ISO SCGN W	chamfer	mm			PCBN
		d	s	r	
1004R	T2A	9.9	4.76		D4 SANDVIK HYPERION

SCGN 1004R W T2A D4

- d=9.9
- regeneration d=9.525
- regeneration d=9.2

SCGN 1004R W T2A4S4

- d=9.9
- regeneration d=9.525
- regeneration d=9.2

■ **SCGN W** **HOFER 13**  
inserts with 4 SOLID tips, 4 cutting edges

ISO SCGN W	chamfer	mm			PCBN
		d	s	r	
1004R	T2A	9.9	4.76		D4 SANDVIK HYPERION

■ **SNGN W** **HOFER 13**  
SOLID inserts with WIPER, 8 cutting edges

ISO SNGN W	chamfer	mm			PCBN
		d	s	r	
1004R	T2A	9.9	4.76		D4 SANDVIK HYPERION

■ **SNGN** **HOFER 13**  
SOLID inserts, 8 cutting edges/

ISO CNGN	chamfer	mm			PCBN
		d	s	r	
1304R	T2A	13.10	4.76		D4 SANDVIK HYPERION

SNGN 1304R T2A D4

- d=13.10
- regeneration d=12.70
- regeneration d=12.30

CNGN 1304R T2A D4

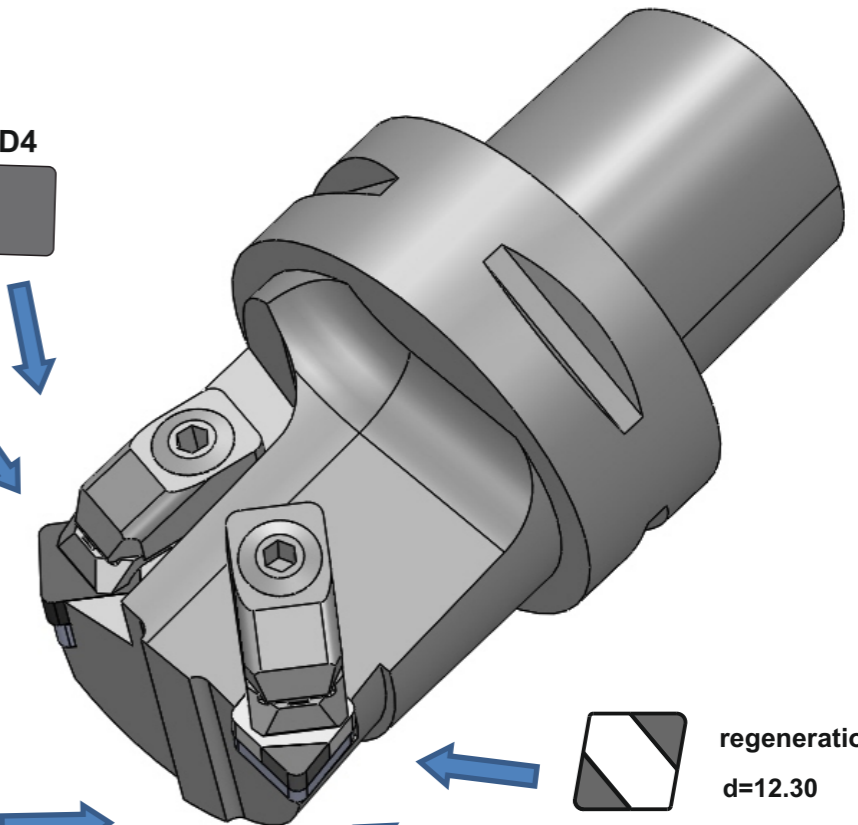
- d=13.10
- regeneration d=12.70
- regeneration d=12.30

■ **CNGN** **HOFER 13**  
SOLID inserts, 4 cutting edges/

ISO CNGN	chamfer	mm			PCBN
		d	s	r	
1304R	T2A	13,10	4,76		D4 SANDVIK HYPERION

■ **CNGN** **HOFER 13**  
inserts with 2 SOLID tips, 4 cutting edges/

ISO CNGN	chamfer	mm			PCBN
		d	s	r	
1304R	T2A	13.10	4.76		D4 SANDVIK HYPERION





HOFER d.o.o.  
Karlovačka 30  
Klinča Sela  
10450 Jastrebarsko  
Croatia

Phone: 00385 (0)1 6294 304  
Fax: 00385 (0)1 6279 831

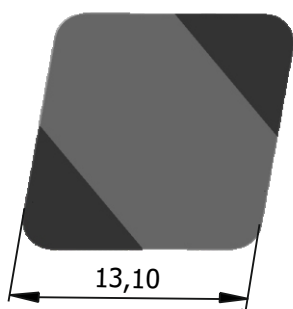
E-mail: [hofer@hofer.hr](mailto:hofer@hofer.hr)  
<http://www.hofer.hr>

## *HOFER-13*

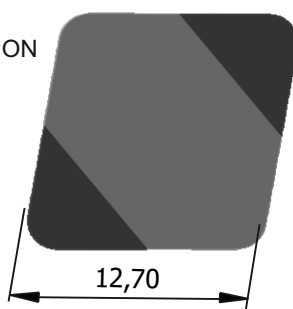
DIMENSION  
CNGN 1304R

ISO  
DIMENSION  
CNGN 1204R

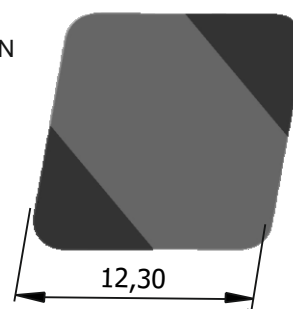
DIMENSION  
CNGN 1104R



REGENERATION



REGENERATION



**hofer**